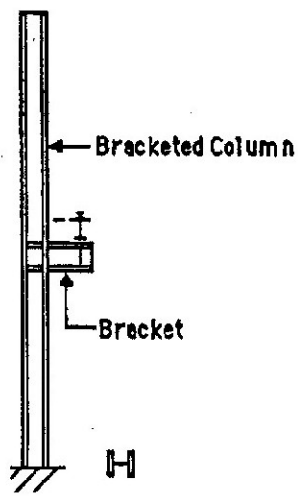
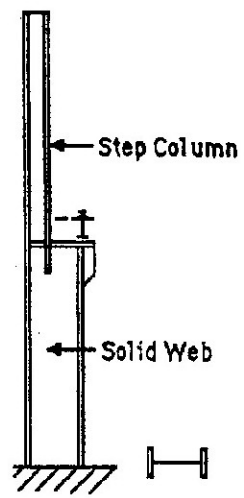


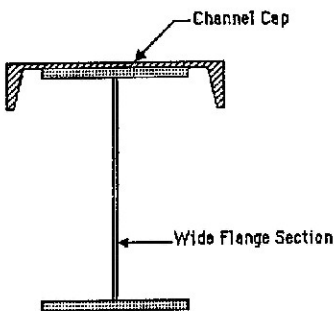
(a) the building/crane column



(b) the bracketed column



(c) the step column-solid web



Channel cap on a wide flange section, a typical form of continuous girder

Intermittent welds should not be used in runways subject to fatigue

