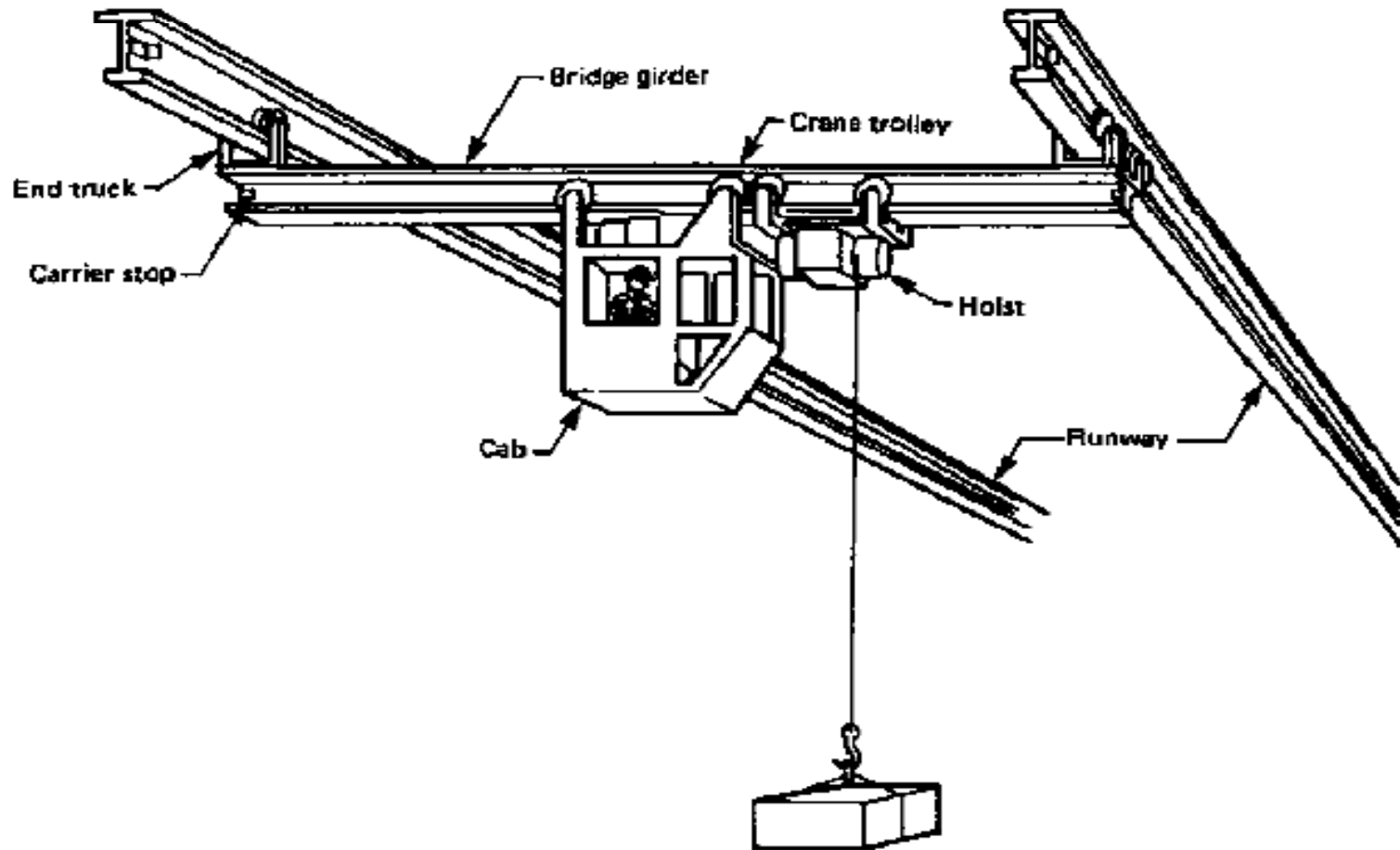
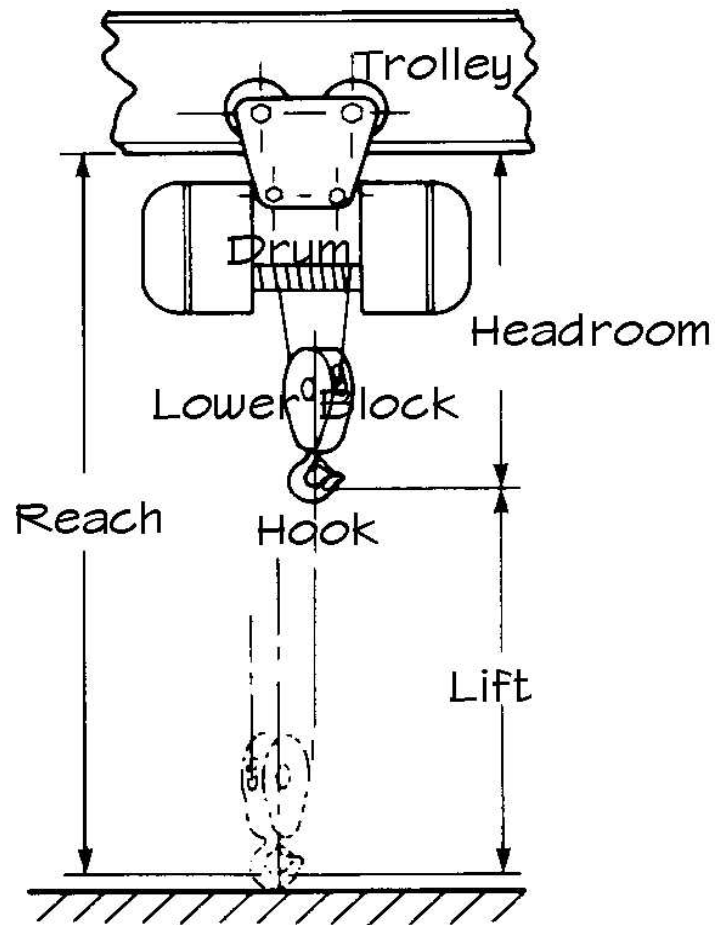


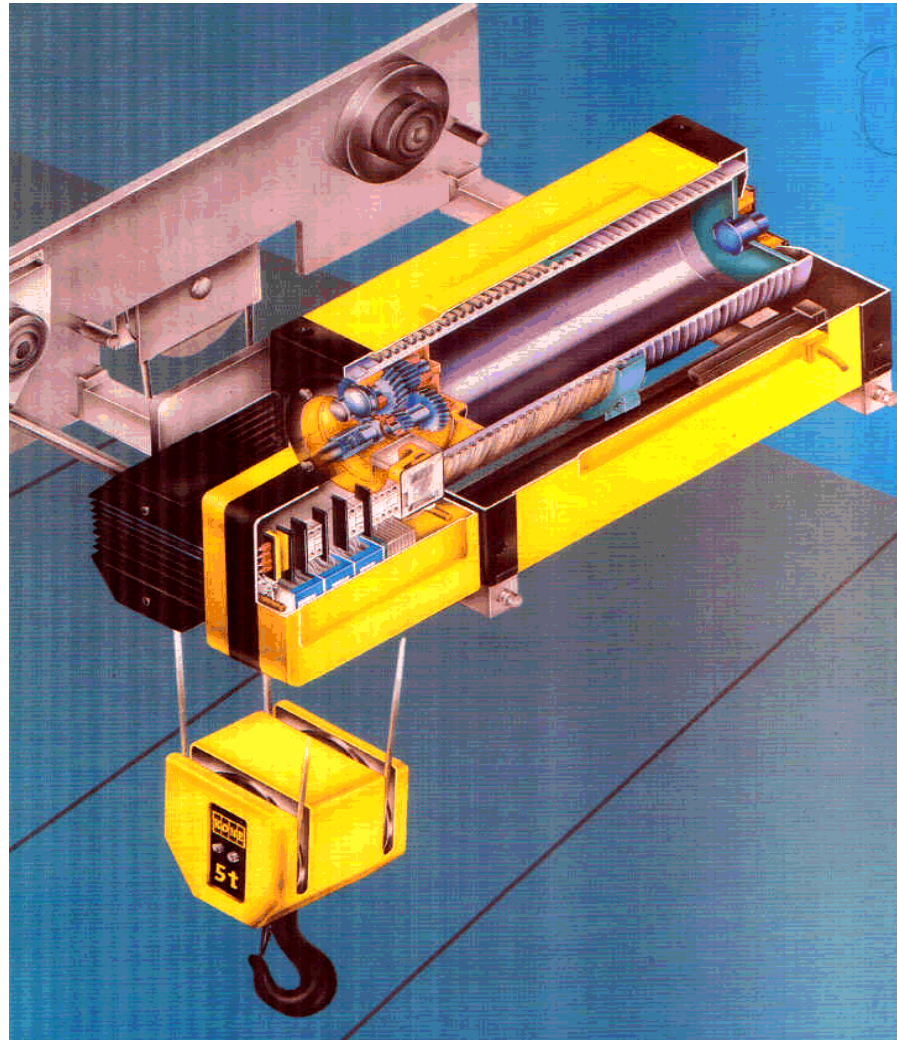
Overhead Bridge Crane



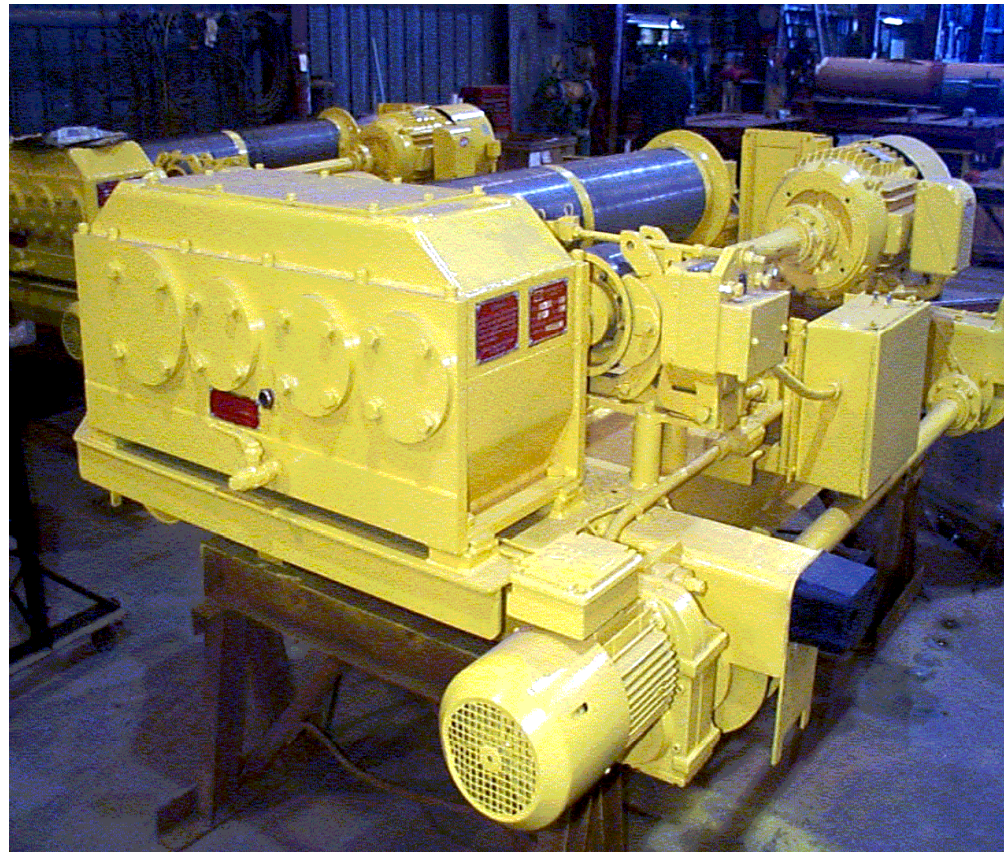
Hoist and Trolley



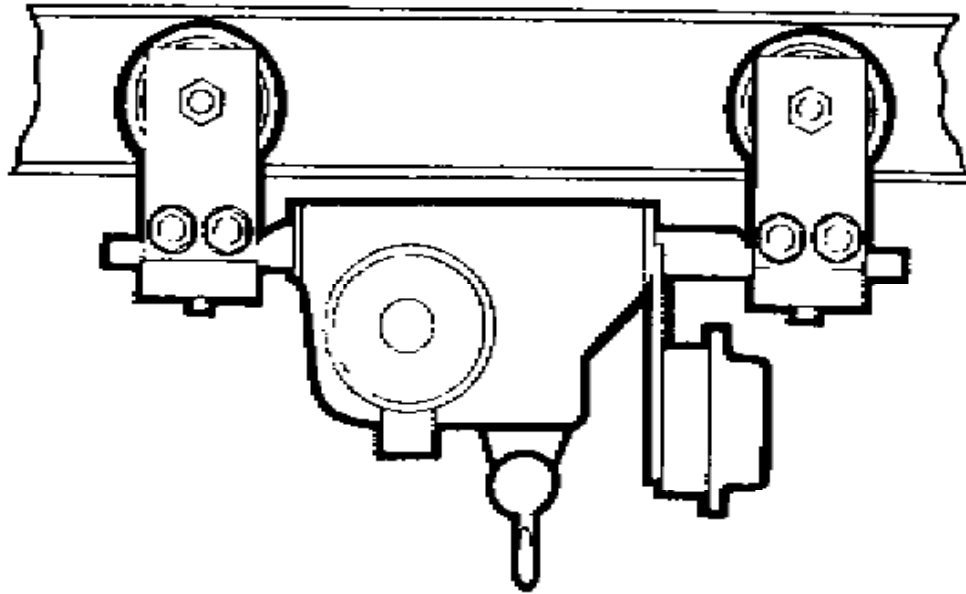
Hoist- Package type



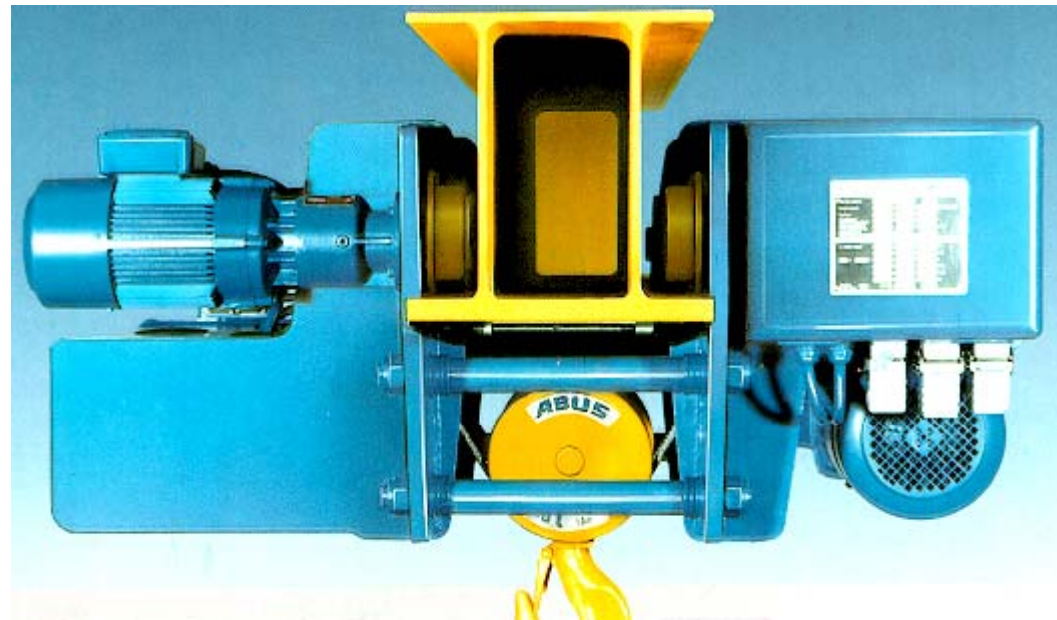
Hoist- Built-up/Open winch



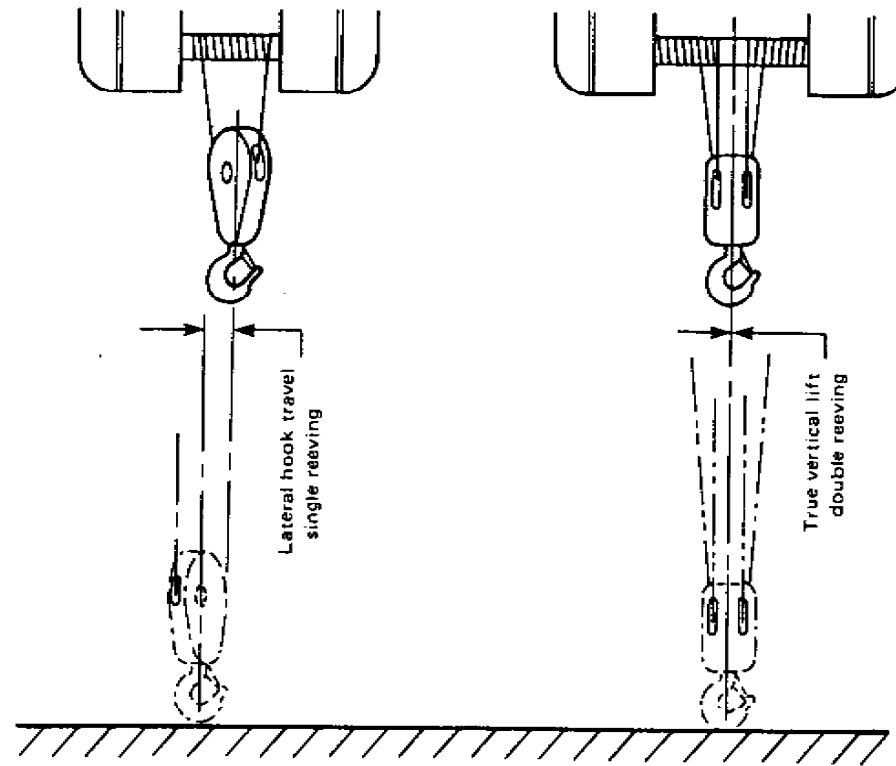
Hoists-Standard Headroom



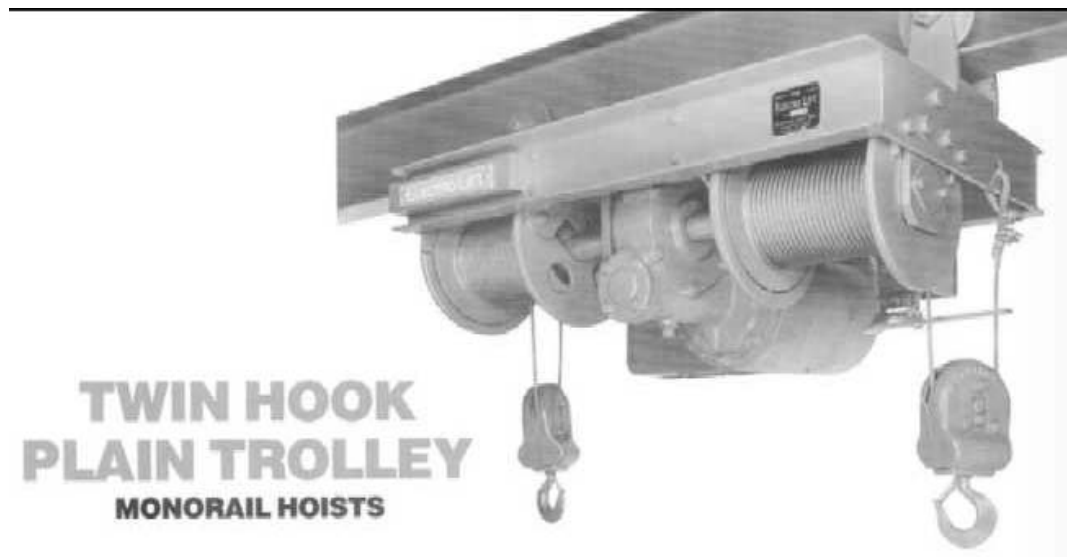
Hoist- European low headroom



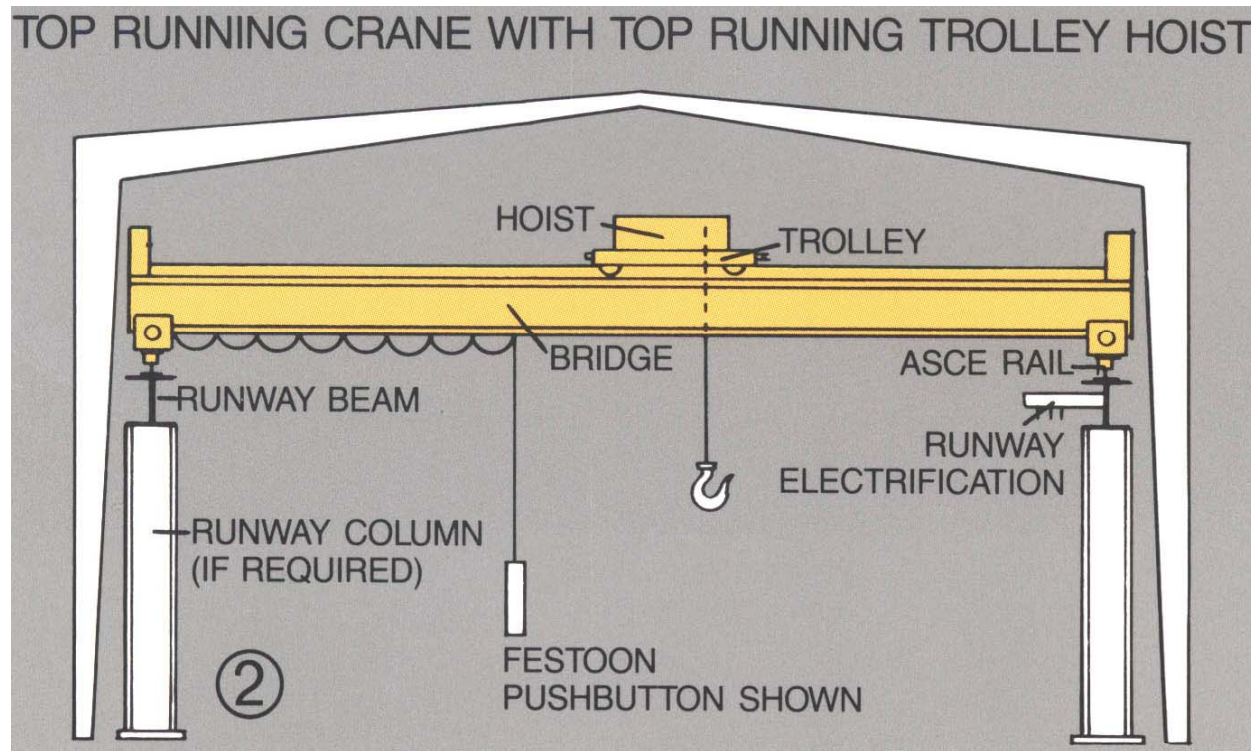
Hoist- True Vertical Lift



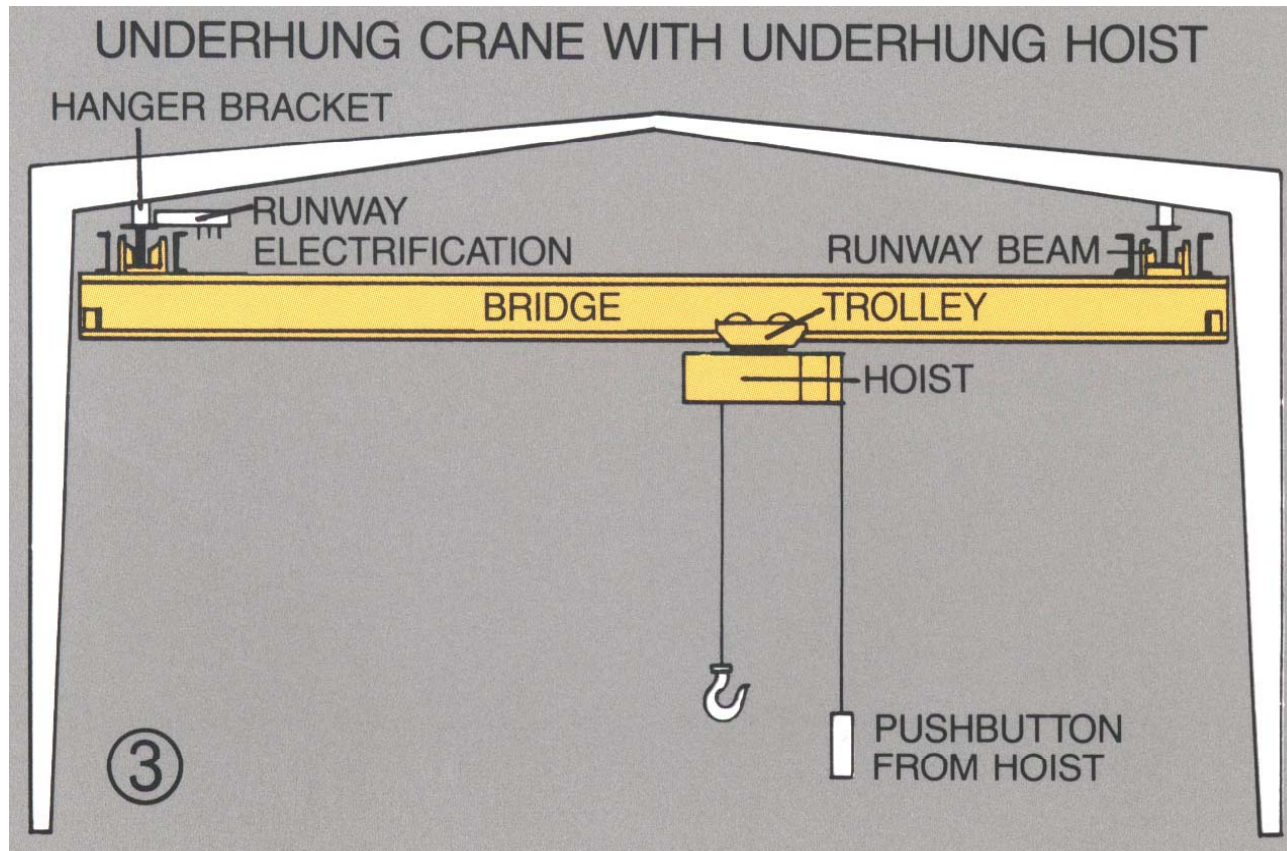
Hoist- Twin hook



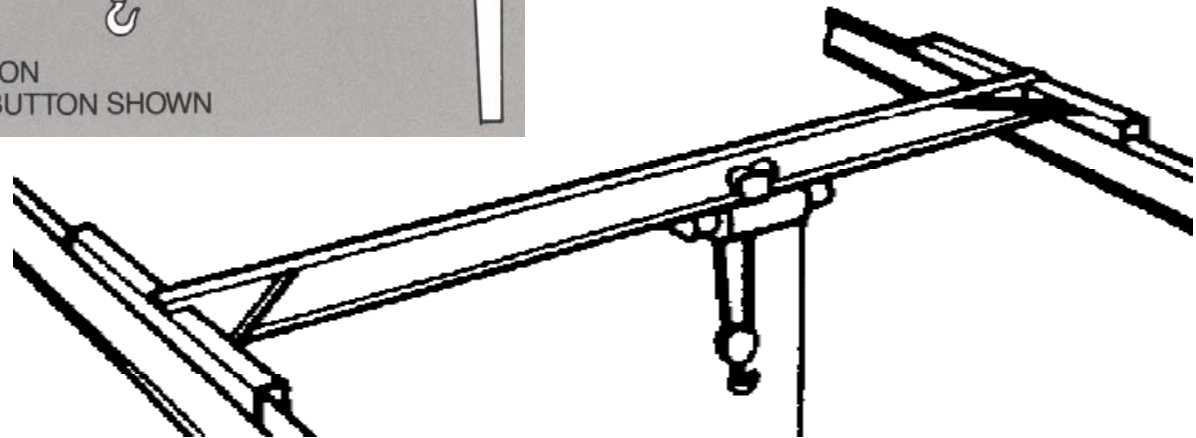
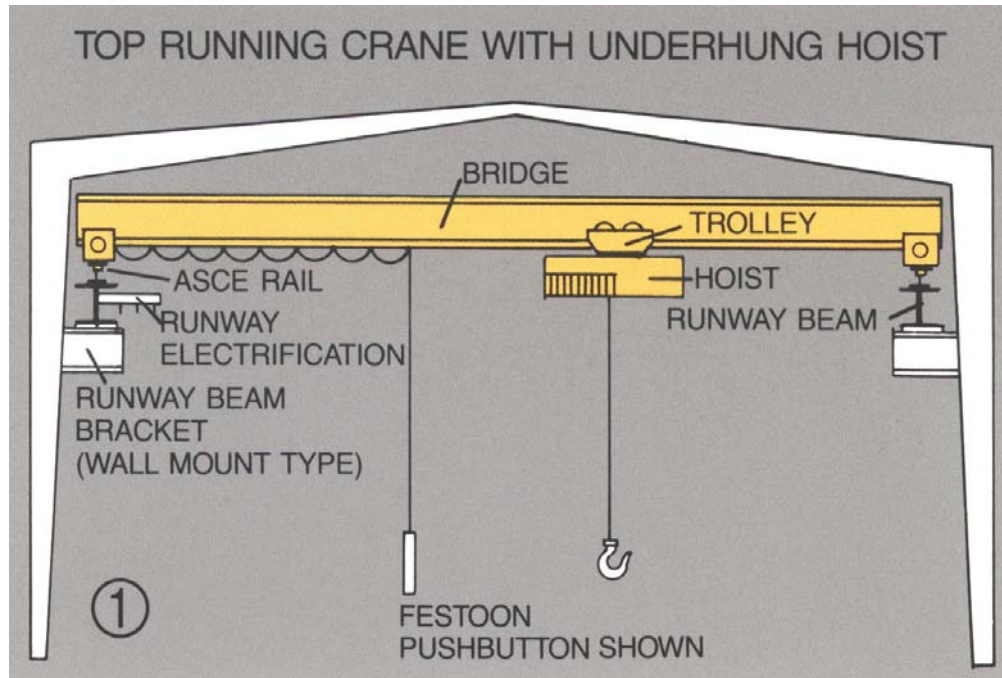
Crane- TR crane/TR hoist



Crane- UR crane/UR hoist

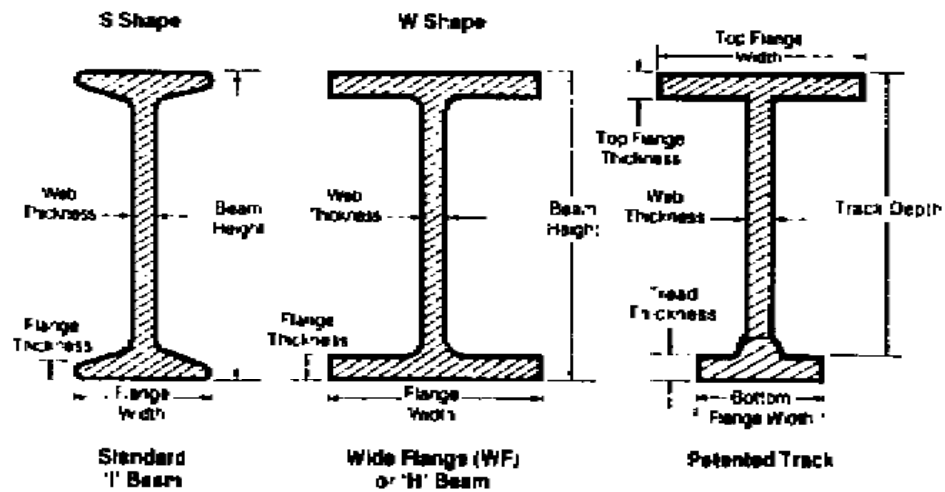


Crane- TR crane/UR hoist

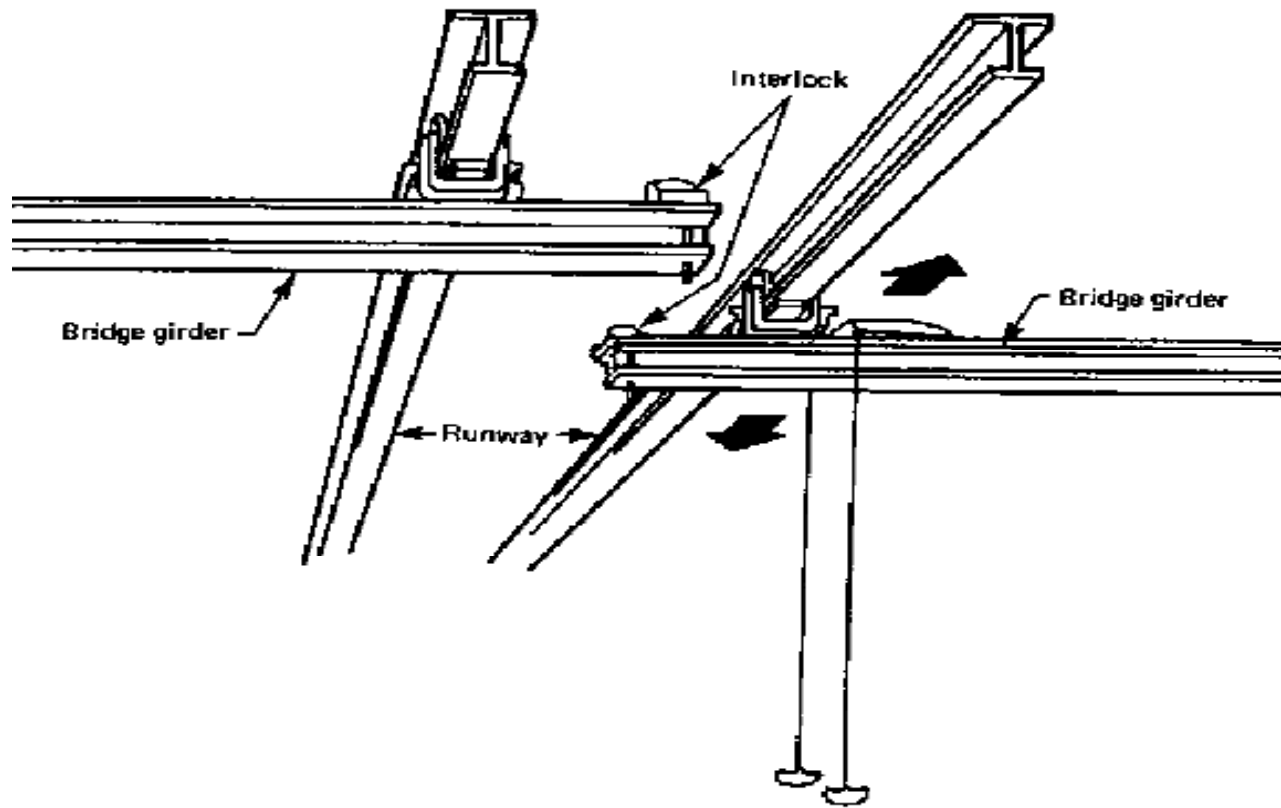


Girder sections

Beam Cross Section



Under running- Interlock



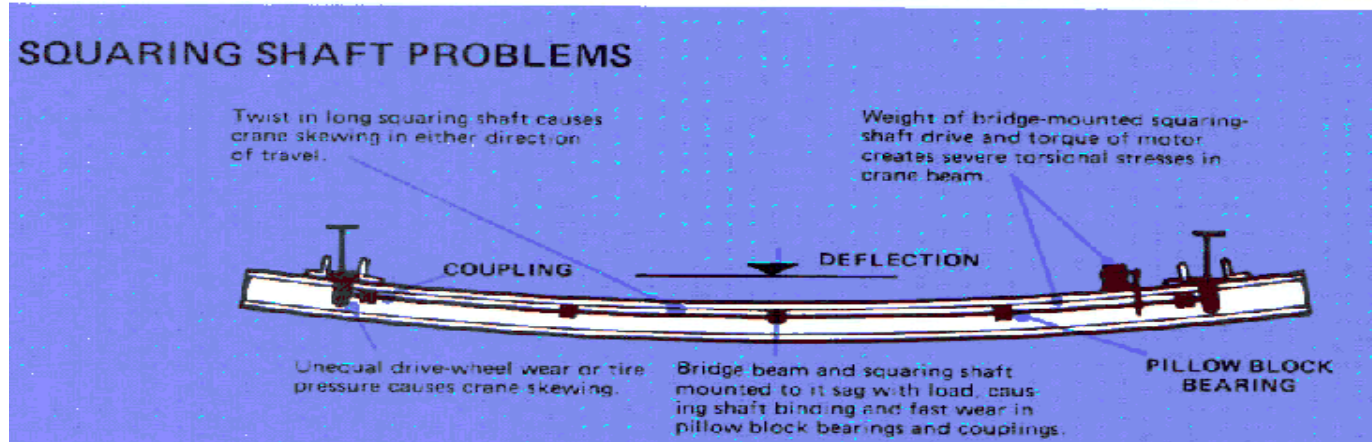
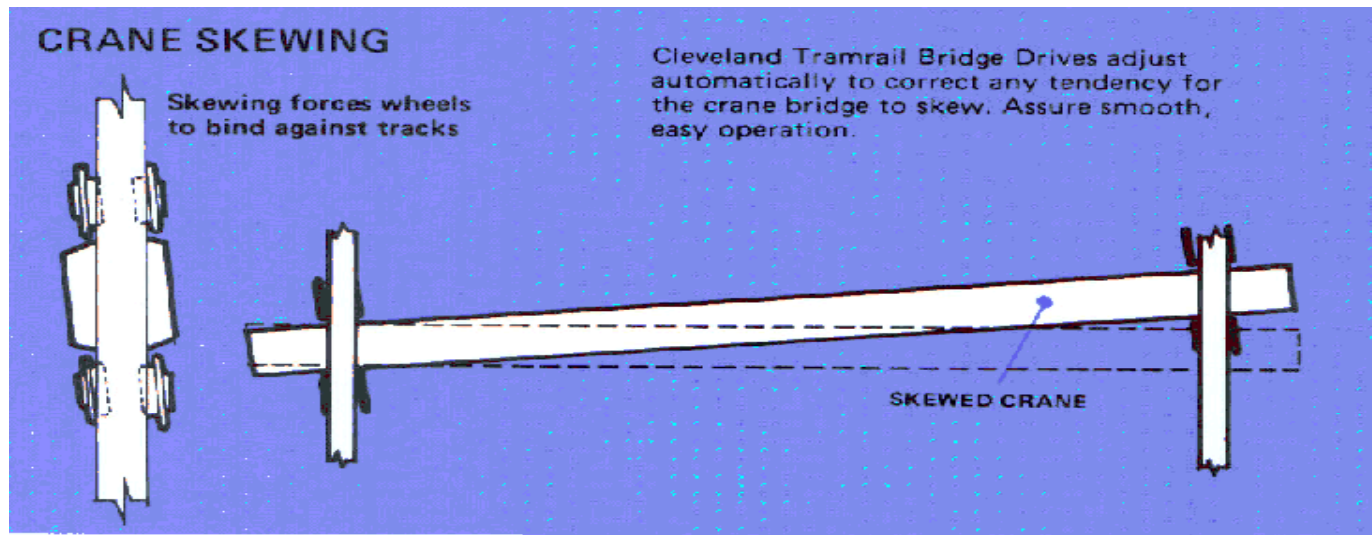
Patented Track



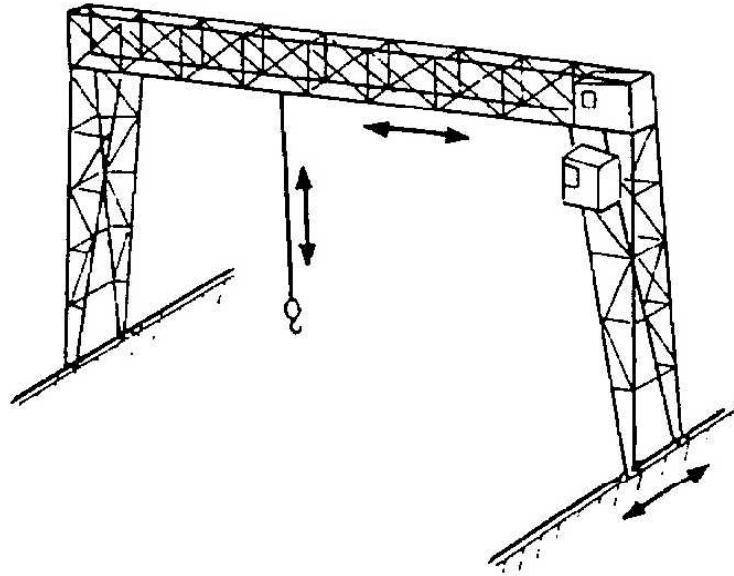
Fabricated Box Girder



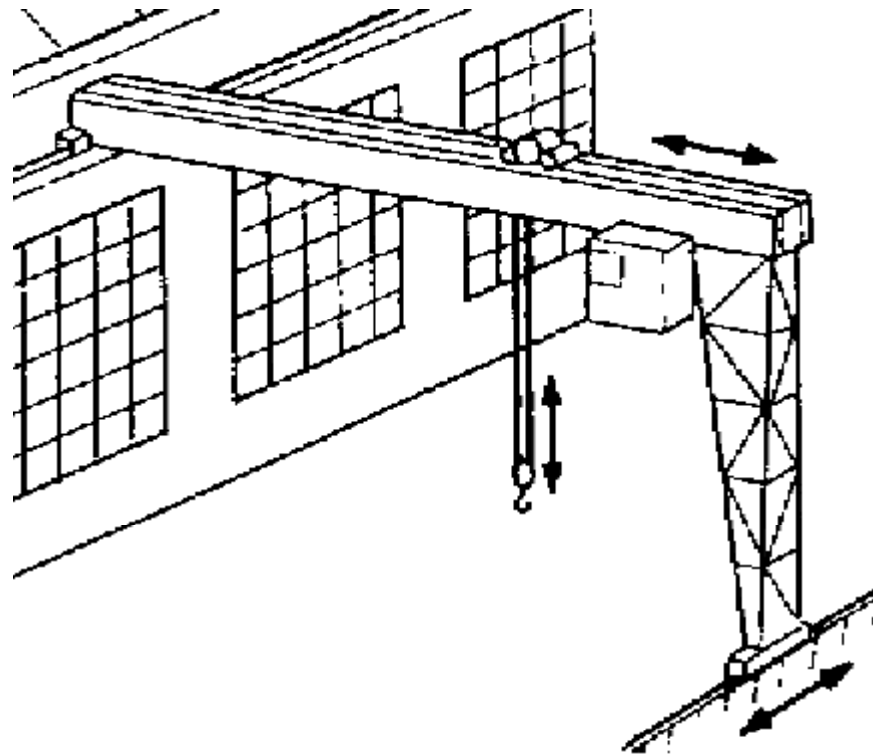
Skewing/Deflection



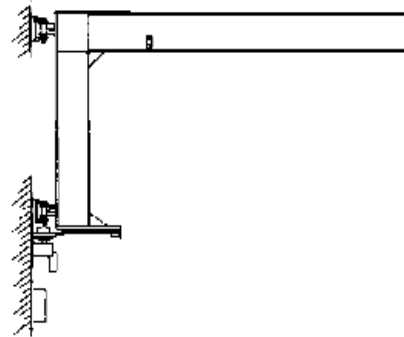
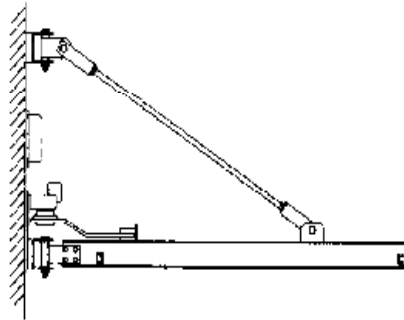
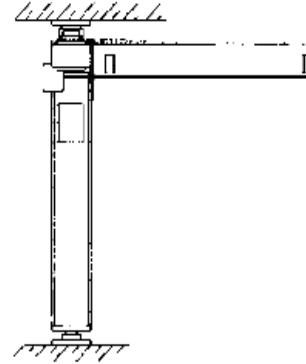
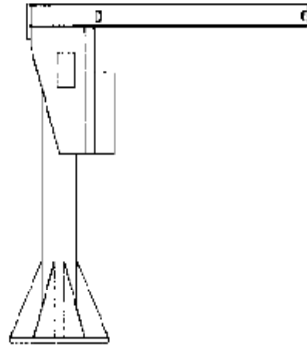
Gantry Crane- Double leg



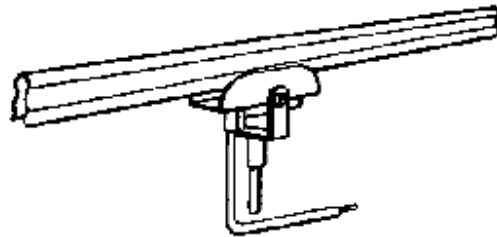
Gantry Crane- Single leg/Semi



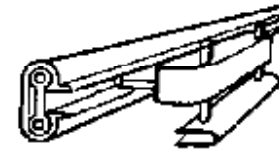
Gantry Cranes



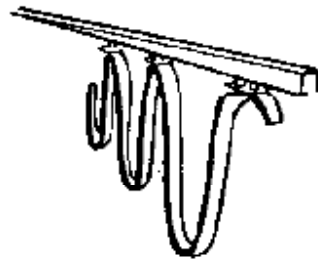
Electrification systems



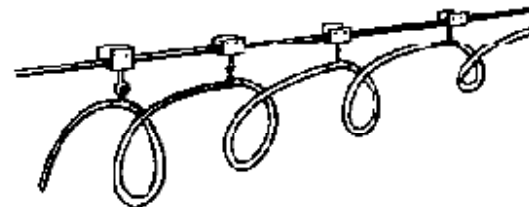
(a) Single Conductor (Bottom Entry)



(b) Single Conductor (Side Entry)



(c) Festooned Flat Cable



(d) Festooned Round Cable